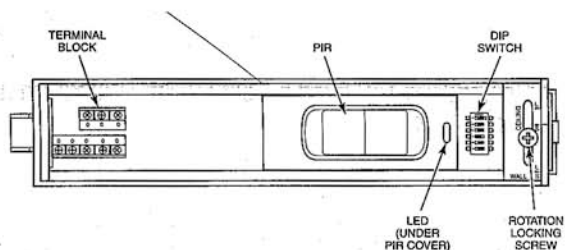


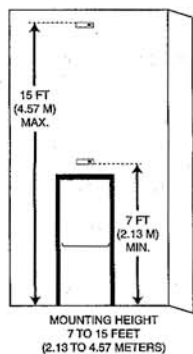
1. Description

The SDC MD-31D is a Request-to-Exit Passive Infrared (PIR) sensor. Mounted near an exterior door inside a building with an access control system, the sensor provides free exit to individuals within the building without causing an alarm.



2. Mounting Location

The SDC MD-31D can be mounted on the wall or ceiling.



NOTE: If the maximum range of 8.4' (2.6m) is desired, the mounting height must be at the maximum (15' or 4.57m).

Choose a mounting location that:

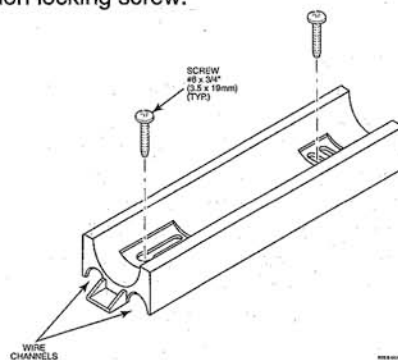
- Gives the sensor a clear line-of-sight to every part of the detection area. Infrared energy cannot penetrate solid objects; if the PIR cannot detect movement, the sensor will not activate.
- Does not place the sensor directly across from one or more windows.
- Is away from moving machinery, fluorescent lights and heating and cooling sources.

The mounting locations available for a request-to-exit sensor can be fairly limited. You may find that it is impossible to avoid a source of false detection within the MD-31D detection pattern. In that case block the sensor's view of that portion of the pattern by adjusting the shutters as described in section 7.

3. Mounting Procedure

To mount the sensor, do the following:

1. Open the sensor housing by pressing on the latch with a screwdriver. This latch is located on the end of the sensor nearest the lens. Pull the cover up and away from the sensor's base.
2. Loosen rotation locking screw two (2) turns (do not remove). Then, remove PCB assembly from the backplate of the sensor.
3. Insert the wiring into one of the wire channels on the sensor's backplate.
4. Securely affix the sensor's backplate to the wall or ceiling using 2 #6 X 3/4 inch (3.5 X 19 mm) screws provided.
5. Reinstall the PCB assembly and adjust for short or long range as described in section 6. Then, tighten rotation locking screw.



4. Input/Output Description

The MD-31D puts and outputs are as follows:

V+V-: Connects to AC or DC power (12 to 28 volts).

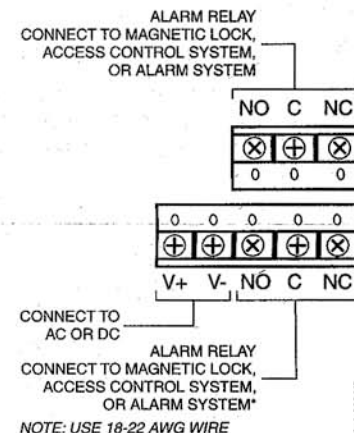
Relays: Input/Outputs for the unit's dual double pole/double throw relay. The relay may be used to control a magnetic lock or signal an access control system. All relay connections (common, normally closed, and normally open) for both sets of contacts are available on the terminal block.

NOTE: Relay timer settings and the reset mode setting affect operation of this relay (see switches 3, 4, 5, and 6 in DIP Switch Settings).

CAUTION: When using the MD-31D to control a magnetic lock, we recommend that an electric suppressor such as S-4 (supplied by Northern Computers) or EL-EDS (manufactured by EDCO) be used to provide transient protection for the magnetic lock and relay contacts. Install the suppressor across the leads connected to the lock as close as possible to the lock.

5 MD-31D Wiring

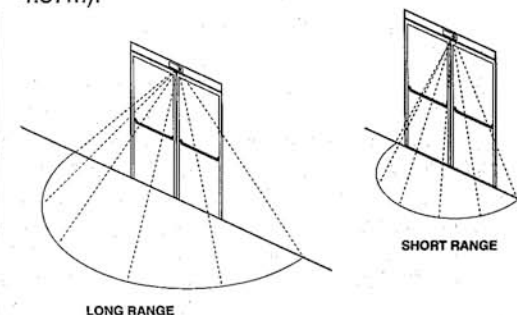
Wire the sensor as shown in the illustration.



6. Long Range/Short Range Adjustments

The MD31D can be set to detect individuals at either a long range (several steps from the door) or at short range (immediately in front of the door). If the building includes a lengthy approach to the exit doorway and no other foot traffic in the area, choose the long-range setting.

NOTE: If the maximum range of 8.4' (2.6m) is desired, the mounting height must be at the maximum (15' or 4.57m).



Choose between long- and short-range detection patterns

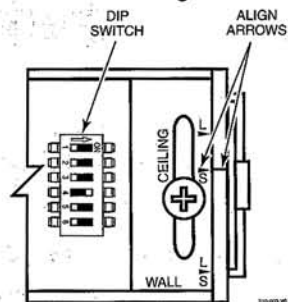
To set the range length:

1. Loosen the rotation locking screw.
2. Turn the PCB in its rotating base until the arrow on the base is aligned with the appropriate notch on the baseplate. If the sensor is ceiling mounted, choose between the notches with the "Ceiling" label. If the sensor is wall mounted, choose between the notches with the "Wall" label. The arrow on the mounting base (or back plate) needs

to be aligned with the ceiling or wall arrows. The "L" designates long range and the "S" designates short range.

NOTE: Either long or short range must be selected. Attempting to select a "mid" range will result in undesirable operation. A mid range setting will not result in a mid range operation. It will only provide a long range with attenuated short range detection.

3. Tighten the rotation locking screw.



7. Shutter Adjustment

The MD31D contains shutters behind the PIR cover. These shutters are used to adjust the field width. This may be necessary when the unit is installed where it may be tripped by non-exiting foot traffic or other erroneous sources at either or both edges of the detection area.

1. To adjust the shutters, remove the lens cover from the PIR.
2. Push the forward edge of the shutter(s) toward the middle of the opening until the area(s) to be blocked are outside the line-of-sight of the PIR. When making the shutter adjustment, each shutter position has a detent and each detent masks off an entire detection zone. There are eight zones total and each shutter has the ability to mask off 7 of the 8 zones. If the shutter is located between detents, the result will be an attenuation of a zone that is intended to be masked or attenuation of a detection zone resulting in improper operation.
3. Replace the lens cover.

8. DIP Switch Settings

The MD31D DIP switch contains 6 switches for selecting operating options. The functions of these switches are as follows:

Switch 1 – Sensor Mode (Sensitivity) Selector: OFF is the Request-to-Exit mode. ON is the Security Sensor mode. In the security sensor mode, the sensor is more immune to false alarms, but the extra time required to perform signal qualifications may make the unit unsuitable for most RTE applications. The unit is shipped in the Request-to-Exit mode.

Switch 2 – LED Disable: This switch must be off to allow the LED to function. The unit is shipped with the LED enabled (switch OFF).

Switch 3 – Relay Timer Mode: This switch selects the relay timer re-trigger or fixed modes.

With this switch OFF, the re-trigger mode is selected. In the re-trigger mode, the relay timer is restarted with the time programmed (with switches 4, 5, and 6) whenever motion is detected. The relay will only deactivate when the time programmed expires without additional motion detected during the active period.

With this switch ON, the fixed mode is selected and the relay will deactivate at the expiration of the relay time programmed (with switches 4, 5, and 6) and additional motion detection during the active period has no effect. The unit is shipped with this switch OFF (re-trigger mode).

Switches 4, 5, and 6 – Relay Timer Setting: These switches control the relay timing: To set the relay timing, refer to the following table:

Switch			Relay Time (Seconds)
4	5	6	
OFF	OFF	OFF	0.5
OFF	OFF	ON	1
OFF	ON	OFF	2
OFF	ON	ON	4
ON	OFF	OFF	8
ON	OFF	ON	16
ON	ON	OFF	32
ON	ON	ON	64

9. Walk Testing

Walk into the motion detection field. Two to four normal steps into the field should make the LED light.

NOTE: The MD31D has a warm-up period of approximately 2 minutes.

Each time the LED goes on, wait for it to go off. Then wait 12 seconds before continuing the walk-test. When there is no motion in the detection field, the LED should be off.

IMPORTANT: The MD31D should be tested at least once a year.

10. Specifications

Range:

Long: 8.4' x 15.8' (Adjustable)
2.6m x 4.8m (Adjustable)
Short: 2' x 5.5' (Adjustable)
0.5m x 1.7m (Adjustable)

Relay (Dual):

Form C
Contact rating: 1A max. at 30 VDC max.

Power Requirements:

12 to 28 VDC or VAC
3V peak-to-peak @ 12.5V
<50 mA current consumption

Operating Temperature:

32° to 122°F (0° to 50°C)

Relative Humidity:

<95% non-condensing

RFI Immunity:

30 V/m, 1 MHz – 1000 MHz

White Light Immunity:

2000 Lux

Size:

7" x 2" x 2"
17.8cm x 5.1cm x 5.1cm

Part Numbers:

MD-31D-W – White Housing
MD-31D-B – Black Housing

11. Regulatory Notices

The MD31D fully complies with the following regulations:

- FCC Part 15
- UL 294 – Access Control System Units
- C22.2 No. 205-M1983 – Signal Equipment
- CE